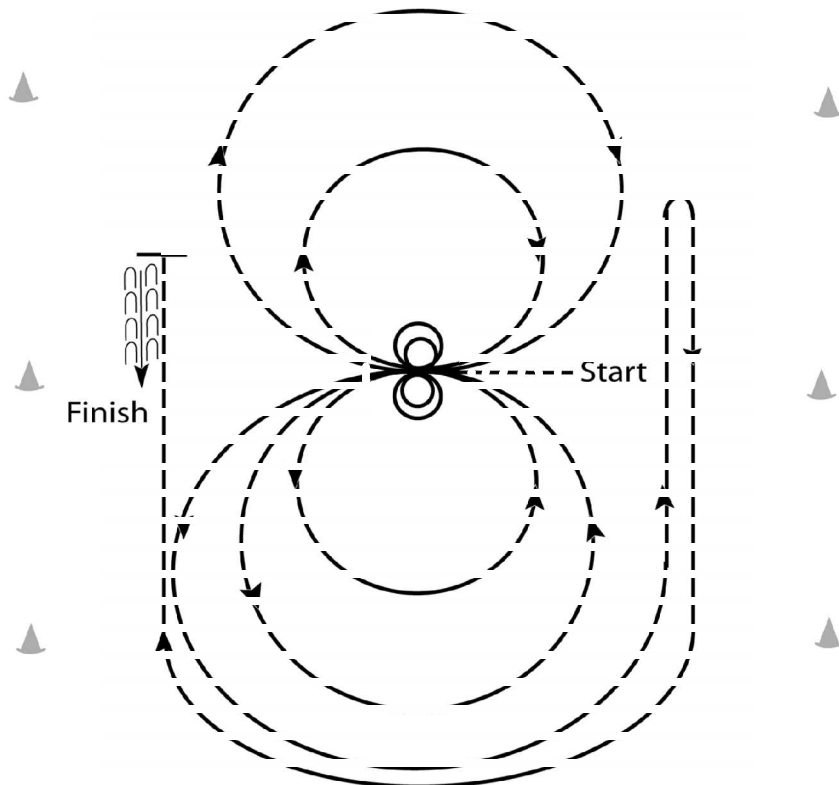


# TUSS MARCH 2025

## REINING (W/T OPEN)

Show Date:

---



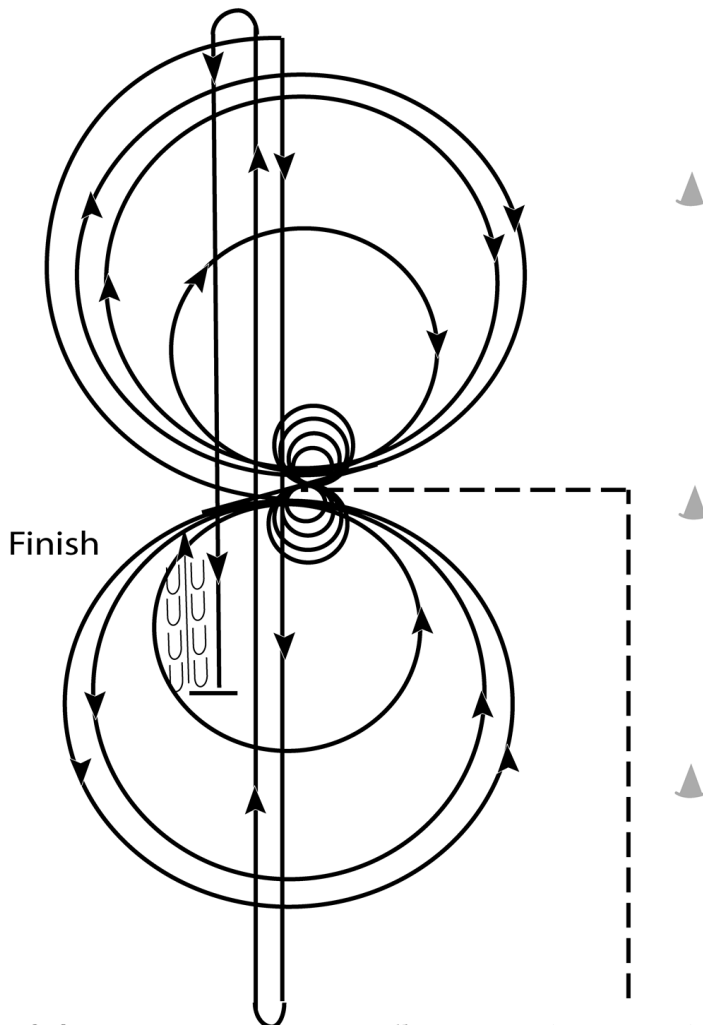
Horses may trot to the center of the arena. Horses must stop prior to starting the pattern. Begin at the center of the arena facing the left wall or fence.

1. Beginning to the left, complete two circles to the left. Small circle regular trot, large circle extended trot. Stop at the center of the arena. Hesitate.
2. Complete 2 spins to the left. Hesitate
3. Beginning to the right, complete two circles to the right. Small circle regular trot, large circle extended trot. Stop at the center of the arena. Hesitate.
4. Complete 2 spins to the right. Hesitate
5. Beginning to the left, extended trot around the end of the arena, extended trot down the right side of the arena past center marker, stop & roll back right
6. Extended trot around the end of the arena and extended trot down the left side of the arena past the center marker. Stop. Back up

# TUSS MARCH 2025

## REINING (OPEN)

Show Date:



Horses must trot to the center of the arena. Horses must walk or stop prior to starting pattern. Begin at the center of the arena facing the left wall or fence.

1. Complete four spins to the left. Hesitate.
2. Complete four spins to the right. Hesitate.
3. Beginning on the right lead, complete three circles to the right; the first small and slow; the next two circles large and fast. Change leads at the center of the arena.
4. Complete three circles to the left; the first small and slow; the next two circles large and fast. Change leads at the center of the arena.
5. Begin a large circle to the right, but do not close this circle. Run down the center of the arena past the end marker and do a right rollback - no hesitation. C
6. Run up the middle to the opposite end of the arena past the end marker and do a left rollback - no hesitation.
7. Run past the center marker and do a sliding stop. Back up to the center of the arena or at least 10 feet (3m). Hesitate to demonstrate completion of pattern.

Rider must dismount and drop bridle to the designated judge.

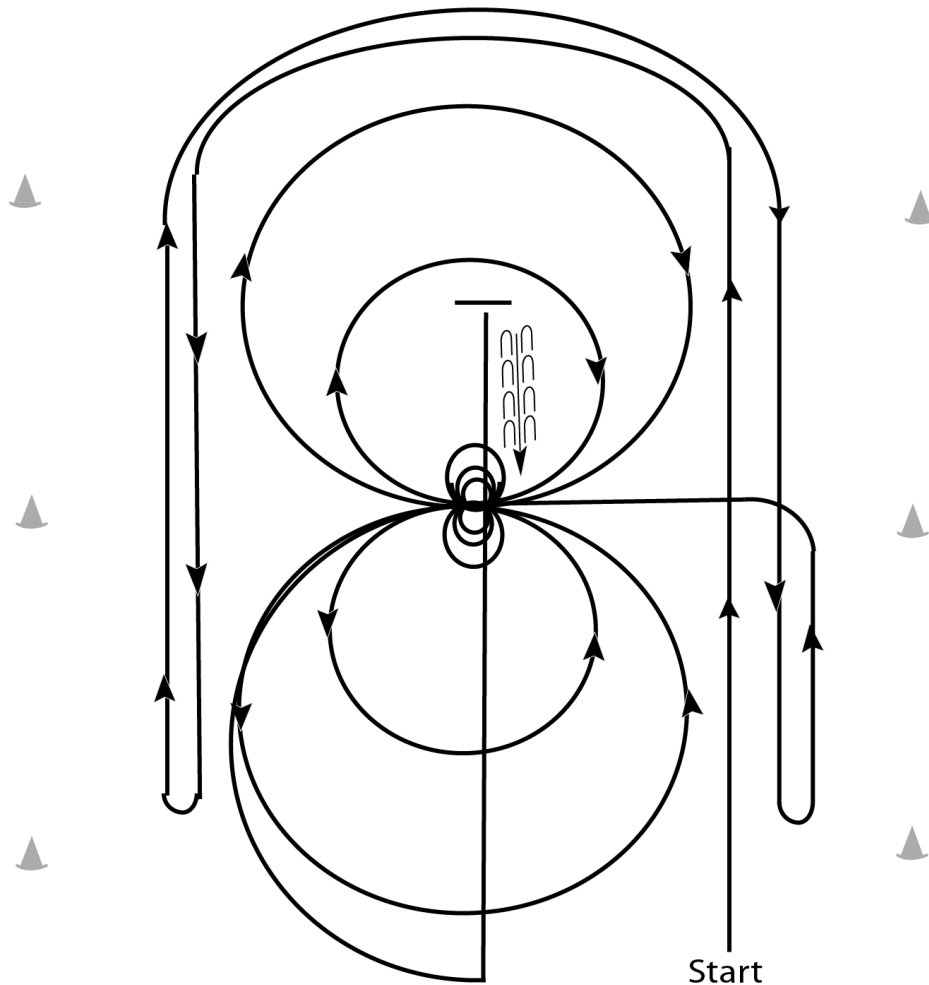
[R/NRHAP-11]

**Pattern Provided by:**

# TUSS MARCH 2025

## Reining (GREEN HORSE/RIDER, YOUTH OR NON PRO)

Show Date:



1. Beginning, lope straight up the right side of the arena, circle the top of the arena, run straight down the opposite or left side of the arena past the center mark and do a right rollback - no hesitation.
2. Continue straight up the left side of the arena circle back around the top of the arena run straight down the right side of the arena past the center marker and do a left rollback - no hesitation.
3. Continue up the right side of the arena to the center marker, at the center marker horse should be on the left lead and complete two circles to the left, one large fast and one small slow. Stop at center. Hesitate.
4. Complete three spins to the left. Hesitate.
5. Complete two circles to the right, one large fast and one small slow. Stop at center. Hesitate.
6. Complete three spins to the right. Hesitate.
7. Begin a large fast circle to the left, do not close this circle. Continue up the center of the arena past the center marker and do a sliding stop.
8. Back up at least ten feet. Hesitate to demonstrate completion of pattern.

[R/NRHAP-13]

Pattern Provided by:

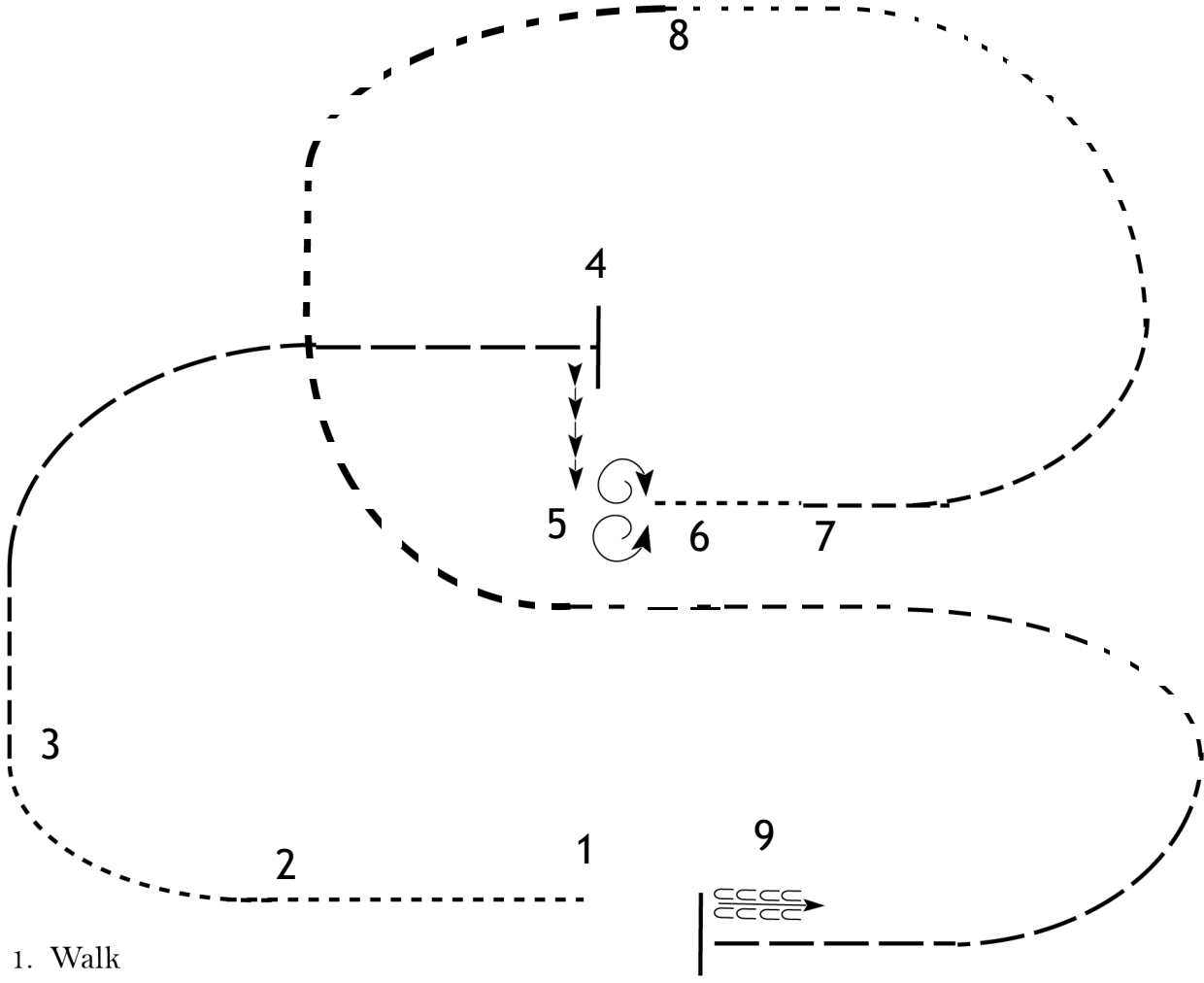
# TUSS MARCH 2025

## W/T TROT RANCH RIDING (ALL W/T CLASSES)

Show Date:

w w w . H o r s e S h o w P a t t e r n s . c o m

w w w . H o r s e S h o w P a t t e r n s . c o m



1. Walk
2. Trot
3. Extend alongside of the arena and around the corner to center.
4. Stop, side pass right
5. 360 degree turn each direction (either way 1st)
6. Walk.
7. Trot.
8. Extend the trot
9. Stop & Back

<b>Walk</b>	-----
<b>Jog</b>	- - - - -
<b>Extended Jog</b>	— — — — —
<b>Lope</b>	
<b>Lead Change</b>	⌘
<b>Back</b>	← ⊞ ⊞ ⊞ ⊞
<b>Marker</b>	Ⓚ

[RR/3]

Pattern Provided by:

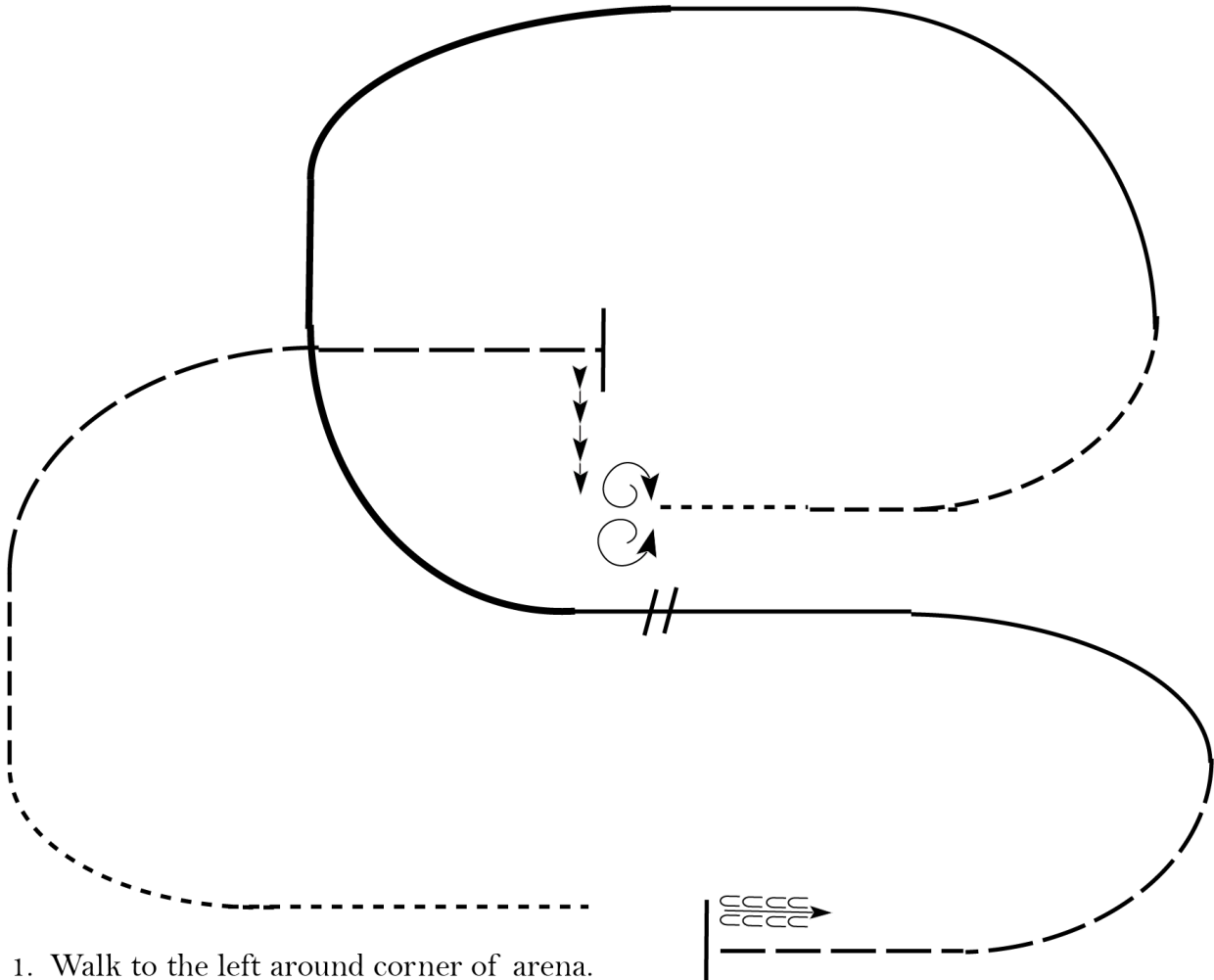
# TUSS MARCH 2025

## RANCH RIDING (GREEN HORSE OR RIDER, YOUTH OR NON PRO)

Show Date:

www.HorseShowPatterns.com

www.HorseShowPatterns.com



1. Walk to the left around corner of arena.
2. Trot
3. Extend alongside of the arena and around the corner to center.
4. Stop, side pass right
5. 360 degree turn each direction (either way 1st)
6. Walk.
7. Trot.
8. Lope left lead
9. Extend the lope
10. Change leads (simple or flying)
11. Collect to the lope
12. Extend trot
13. Stop and back

Walk	-----
Jog	- - - - -
Extended Jog	_____
Lope	—————
Lead Change	⌘
Back	← ⏟ ⏟ ⏟ ⏟
Marker	ⓑ

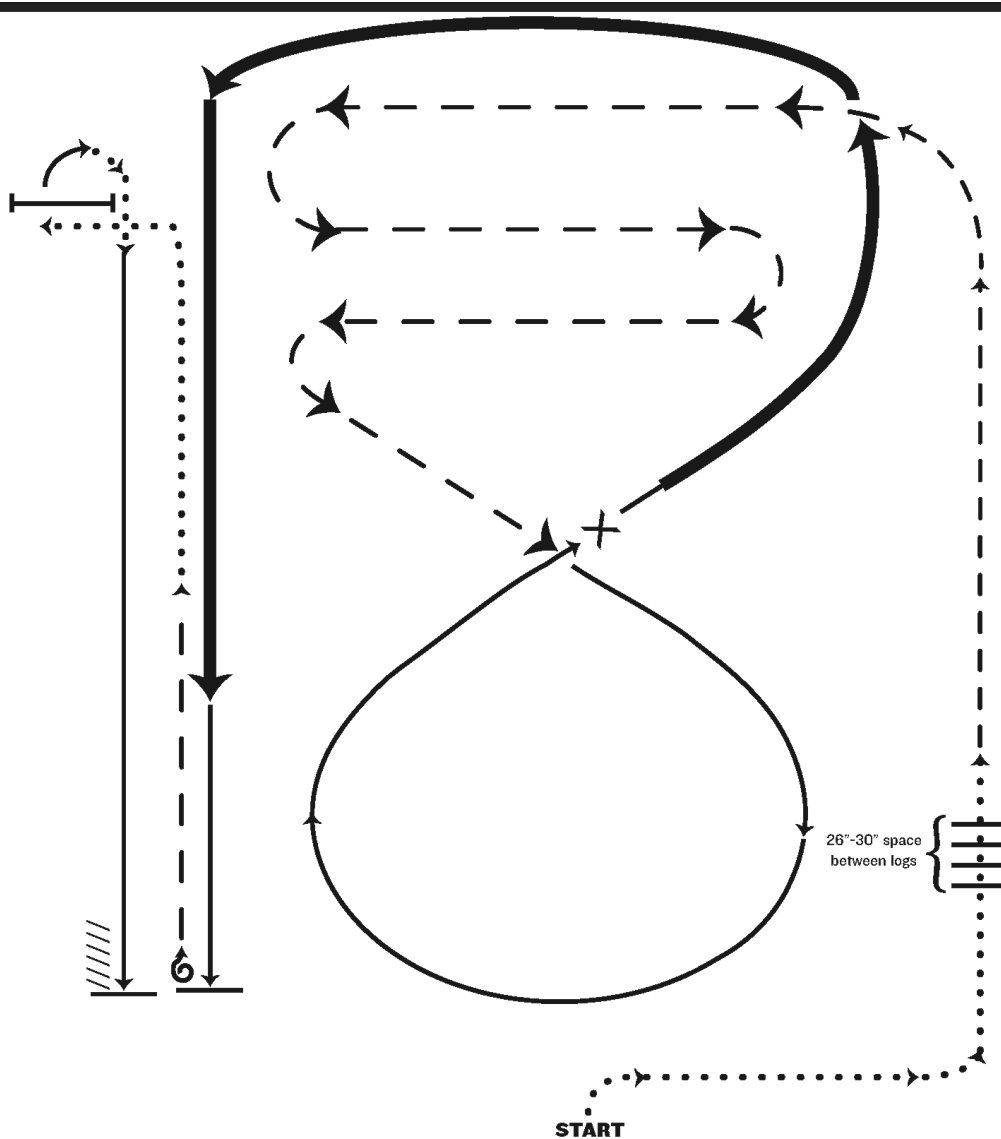
[RR/3]

Pattern Provided by:

# TUSS MARCH 2025

## Ranch Riding (OPEN)

Show Date:



1. Walk
2. Walk over logs
3. Trot
4. Extended trot serpentine
5. Lope right lead
6. Change leads (simple or flying)
7. Extended lope (left lead), collect lope
8. Stop, 1 1/2 turn, either direction
9. Trot
10. Walk to gate
11. Right hand push gate
12. Walk, lope left lead
13. Stop and back

Note: The drawn description of this pattern is only intended for the general depiction of the pattern. Exhibitors should utilize the arena space to best exhibit their horses.

[RR/AQHA-13]

Pattern Provided by: